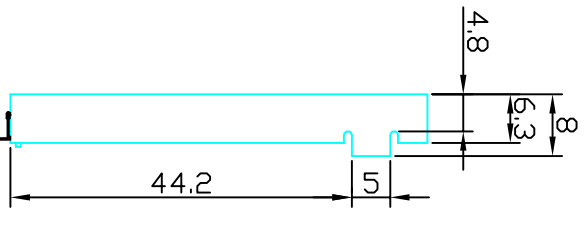
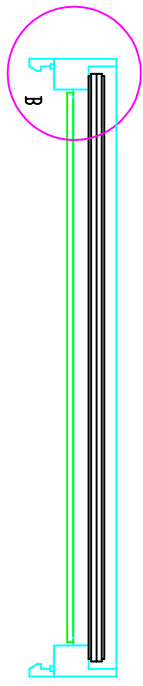
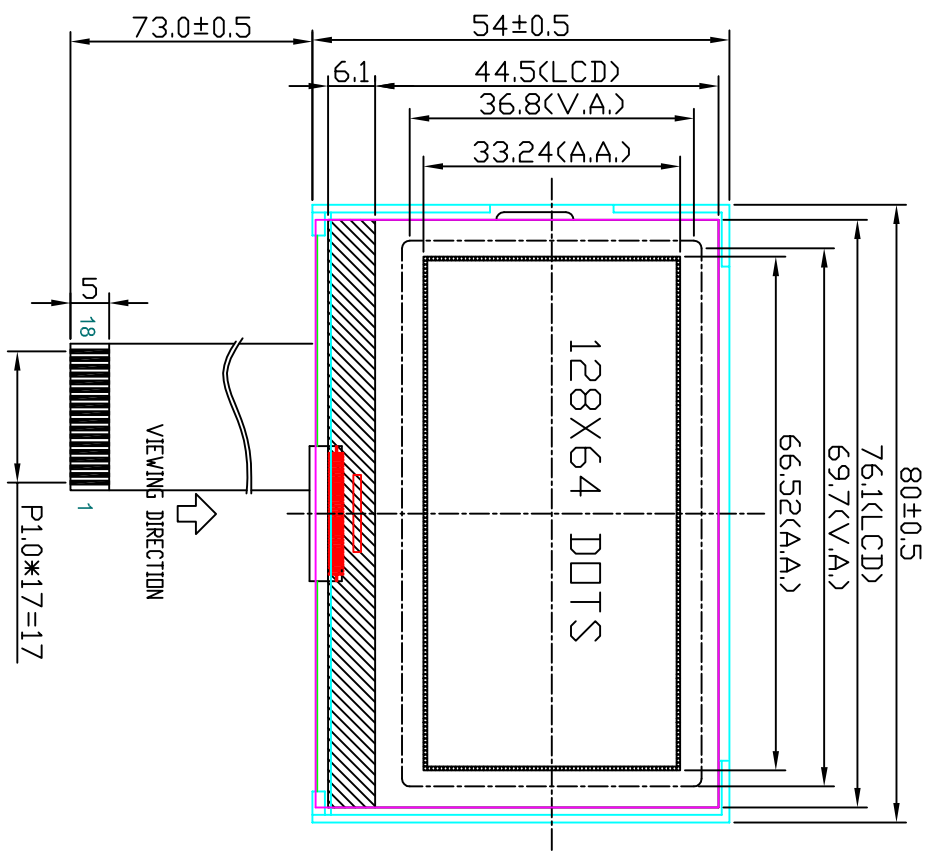
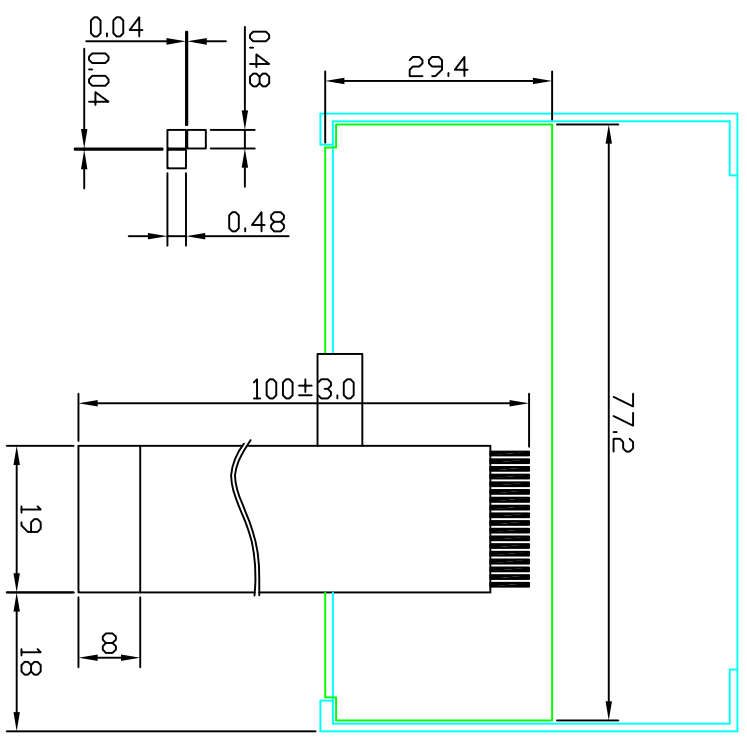
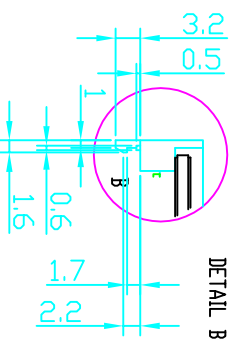
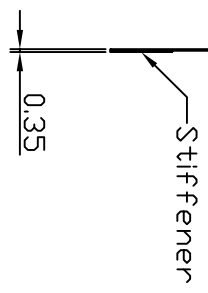


REV	DESCRIPTION:	DATE
1.0		



PIN ASSIGNMENT

1	VSS
2	VDD
3	V0
4	/RES
5	/CS
6	RS
7	VDD
8	VDD
9	VDD
10	VDD
11	VDD
12	VDD
13	VDD
14	VDD
15	SCL
16	SI
17	A
18	K



- SPECIFICATION:
- 1). DRIVE METHOD: 1/65DUTY, 1/9BIAS, VLCD: 9.8V VDD:3.3V
 - 2). VIEWING DIRECTION: 6 O'CLOCK
 - 3). DISPLAY TYPE: STN,YELLOW-GREEN, TRANSPARENT/POSITIVE
 - 4). OPERATING TEMP: -20C~+80C.
(-40C~+80C When with Heater)
 - 5). STORAGE TEMP: -30C~+85C.
(-40C~+85C When with Heater)
 - 6). USE IC: ST7565V(COG)
 - 7). WITH Y-G BACKLIGHT

Model Name:	OCUG12864A	OCULAR ENTERPRISES
GENERAL TOL:	± 0.3	
APPROVALS	DATE	DRAWN NO.
DWN:		SCALE: 1:1
CHK:		UNIT: mm
App:		Page: 1-1

