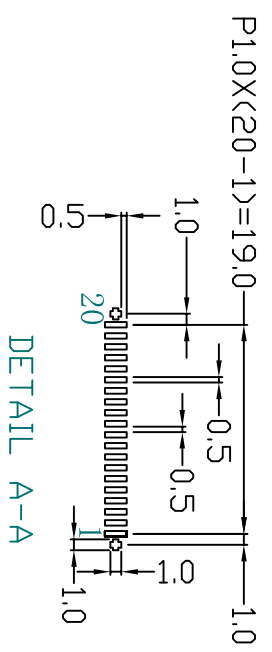
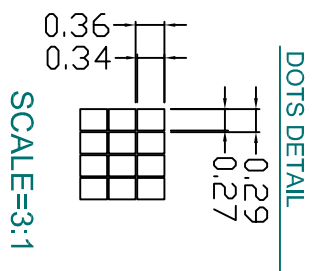
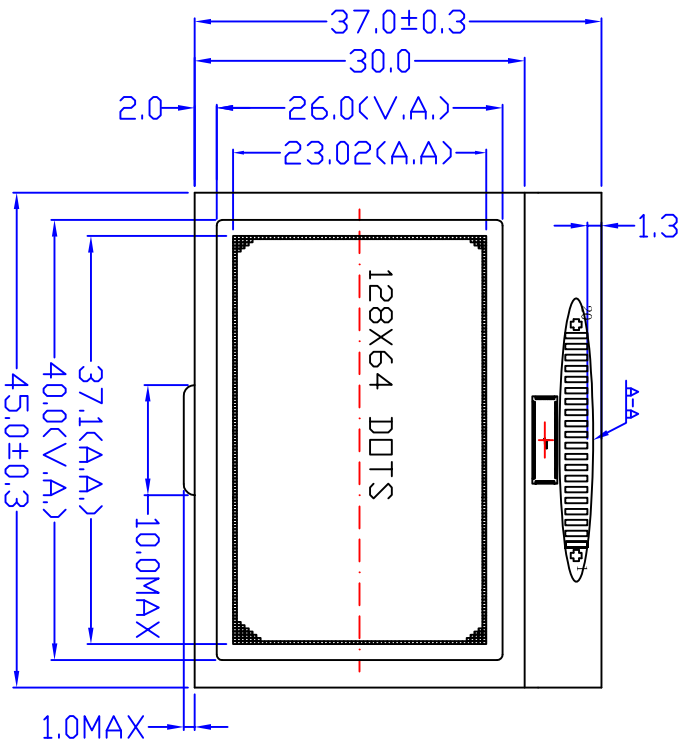
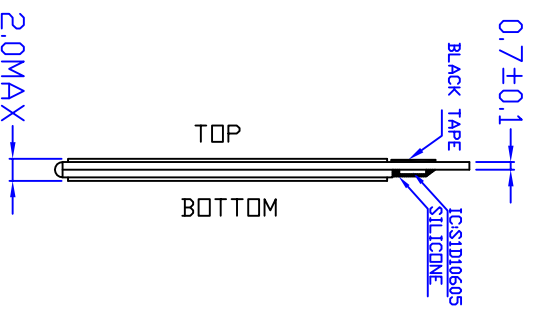


REV	DESCRIPTION:	DATE

**PIN ASSIGNMENT**

1	CS1
2	RESB
3	A0
4	SCL(D6)
5	SID(D7)
6	VDD
7	VSS2
8	VOUT
9	CAP3-
10	CAP1+
11	CAP1-
12	CAP2-
13	CAP2+
14	V1
15	V2
16	V3
17	V4
18	V5
19	VDD
20	VSS



- Specification:**
- 1). Driving: Duty:1/64, Bias:1/9, VLCD: 10.0V, VDD:3.0V
  - 2). Viewing angle: 6 0'clock
  - 3). Operating temp.: -200°C~+70°C  
Storage temp.: -30°C~+80°C
  - 4). IC: SID10605
  - 5). Dimensions with mark "\*" are important, with mark "()" are referenced

Model Name: OCU-G12864C1-C201		<b>OCULAR ENTERPRISES</b>	
GENERAL TOL: ± 0.3			
APPROVALS	DATE	DRAWN NO.	
DWN:		SCALE: 1:1	
CHK:		SIZE: A4	UNIT: mm
App:			Page: 1-1