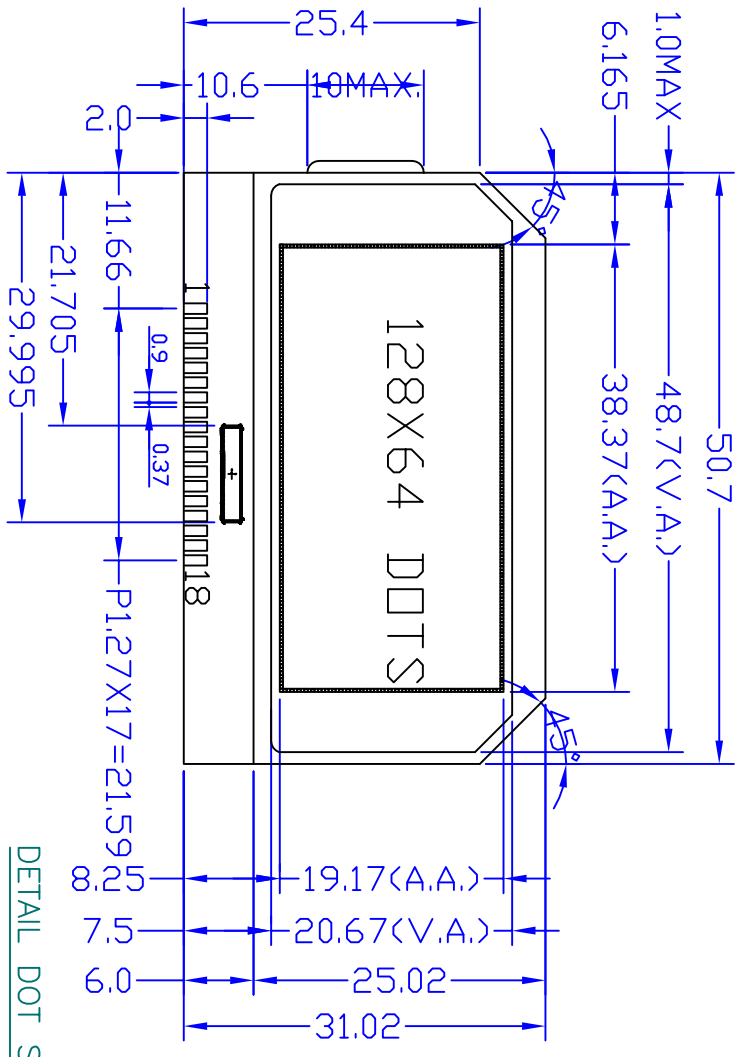


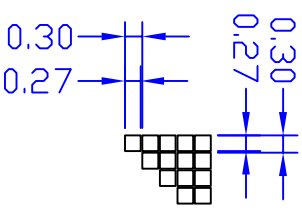
REV	DESCRIPTION:	DATE

PIN ASSIGNMENT

1	V5
2	V4
3	V3
4	V2
5	V1
6	CAP2+
7	CAP2-
8	CAP1-
9	CAP1+
10	CAP3-
11	VOUT
12	VSS
13	VDD
14	DB7,SI
15	DB6,SCL
16	AOP
17	RESET
18	CS

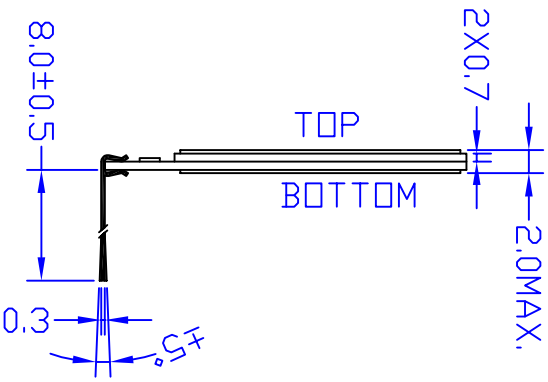


DETAIL DOT SIZE



SCALE 10:1

- Specification:
1. Operating voltage: 10.0V
 2. Operation temperature: 0°C TO 50°C
 3. Storage temperature: -10°C TO 60°C
 4. Driving method: 1/65 DUTY, 1/9 BIAS
 5. Display Type: FSTN, REFLECTIVE, POSITIVE
 6. Viewing direction: 6:00 o'clock
 7. Driving IC: SPLC501C(COG)
 8. Connection type: PIN



Model Name: OCU-G12864J1-C701		OCULAR ENTERPRISES	
GENERAL TOL: ± 0.3	DATE	DRAWN NO.	SCALE: 1:1
APPROVALS			UNIT: mm
DWN:		SIZE: A4	Page: 1-1
CHK:			
APP:			