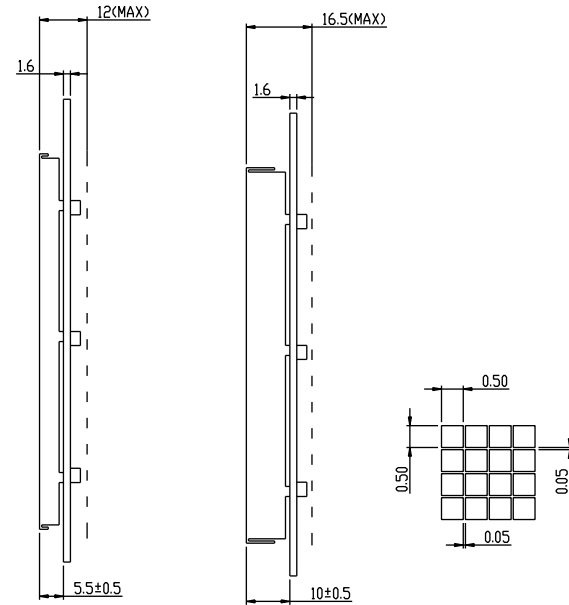
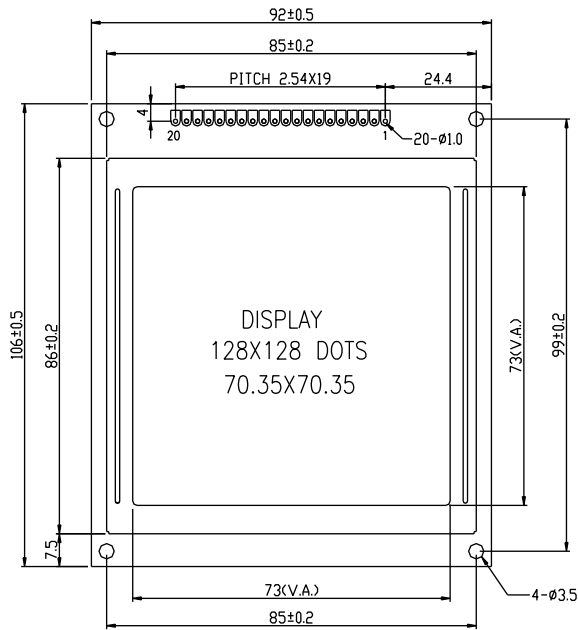
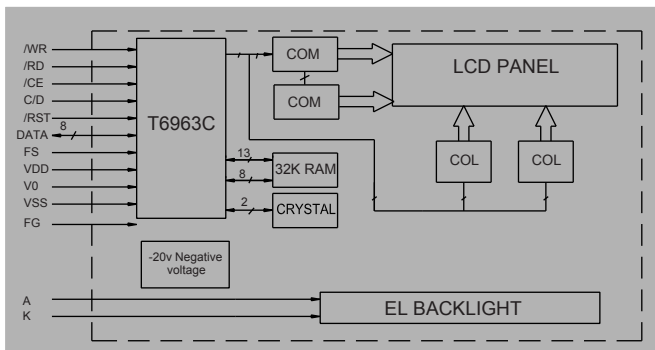


Outline Dimension



Block diagram



Feature

1. 128x128 dots gaphic LCD module
2. Built-in controller(T6963C)
3. 5.0V power supply
4. STN;1/28 duty;LED BKL or EL BKL

Mechanical Data

Item	Standard	Unit
Module dimension	92.0x106.0	mm
Viewing area	73.0x73.0	mm
Dot size	0.50x0.50	mm
Dot pitch	0.55x0.55	mm

Interface pin connections

PIN NO	Symbol	Function
1	FG	Frame ground
2	VSS	GND
3	VDD	+5V
4	VEE	Operating voltage for LCD
5	/WR	Write enable signal
6	/RD	Read enable signal
7	/CE	Chip enable signal
8	C/D	H:Instruction,L:Data
9	/RES	Reset signal
10-17	DB0-DB7	Data bus line
18	FS	Font selection
19	A	Power supply for BKL(4.2V)
20	K	Power supply for BKL(GND)

Absolute Maximum Rating

Item	Symbol	Standard			Unit
		Min	Typ	Max	
Power supply	VDD-VSS	-0.3	-----	7.0	V
Input voltage	VI	-0.3	-----	VDD+0.3	

Electronical characteristics

Item	Symbol	Condition	Standard			Unit
			Min	Typ	Max	
Input voltage	VDD	-----	4.7	5.0	5.5	V
Supply current	I _{DD}	VDD=5V	-----	10	-----	mA
Recommended LCD driving voltage for normal temp version module	VDD-V0	-20°C	-----	-----	-----	V
		0 °C	-----	19.5	-----	
		25°C	-----	18.0	18.6	
		50°C	-----	18.0	-----	
LED forward voltage	V _F	25°C	-----	4.2	4.5	V
LED forward current	I _F	V _F =12V	-----	-----	-----	mA
EL power supply current	I _{EL}	V _{EL} =110V AC 400Hz	-----	-----	-----	mA